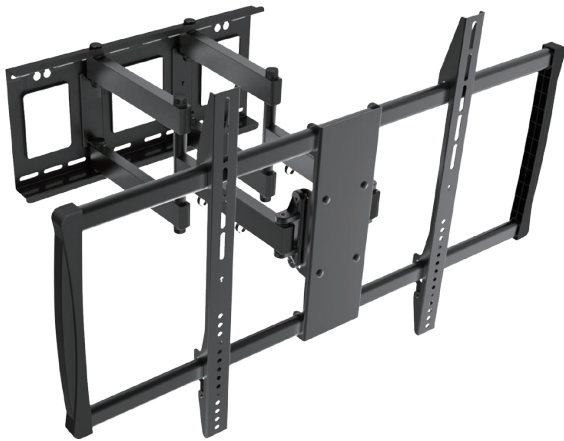


Articulated Landscape Wall Mount (Max VESA 600x900) - AS37696A



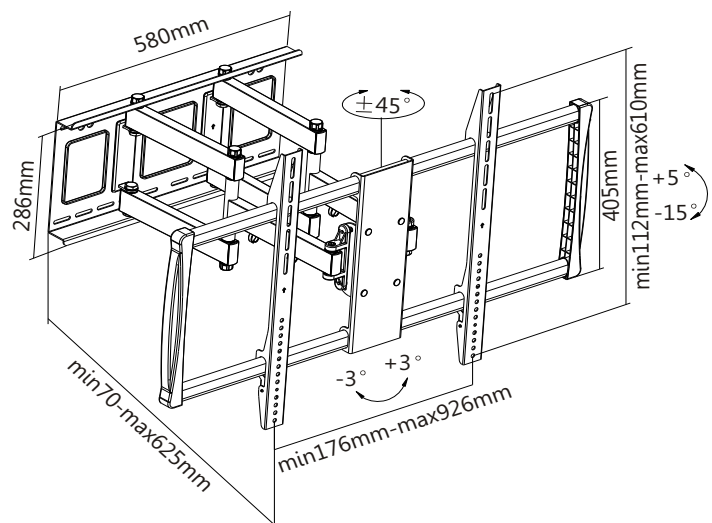
Features

- Suitable for most 60"-100" screens
- Fit mounting patterns up to 926x610mm
- Maximum VESA pattern: 900x600mm
- Maximum hole pattern: 926x610mm
- Mounting profile from wall: 70-625mm
- Maximum weight capacity: 80kg/176lbs
- Open design for easy cable and electrical access
- Articulated arm allows for full range of movement
- Supports Curved TVs

Specifications

Mount Type	Articulated Landscape Wall Mount
Mounting Pattern	Universal
Material	Alluminium, Steel and Plastic
Recommended Screen Size	60"-100"
Weight Capacity	80kg/176lbs
Load Tested	4 times weight capacity approved
Maximum Hole Pattern (WxH)	926x610mm
Compatible VESA Patterns	200x200mm, 400x200mm, 300x300mm, 400x400mm, 600x400mm, 800x400mm, 900x600mm
Maximum VESA Pattern	900x600mm
Tilt	-15° to +5°
Swivel	-45° to +45°
Level Adjustment	-3° to +3°
Profile	70-625mm

Technical Drawing



• Excluding motorised products which have a 5 year warranty

